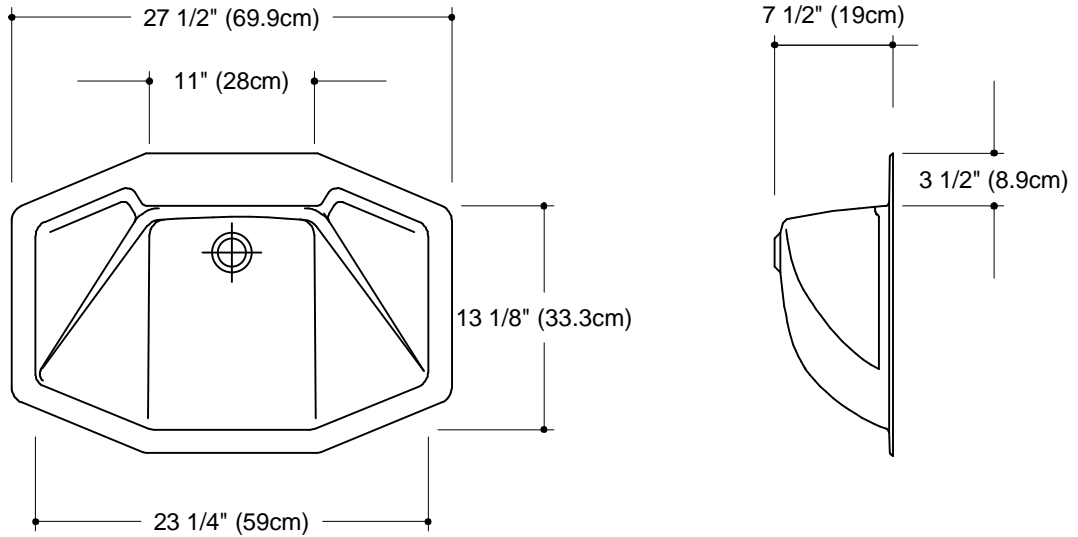


GRUBER SYSTEMS RESERVES THE RIGHT TO CHANGE THIS INFORMATION AT ANY TIME WITHOUT PRIOR NOTICE. ISSUED BY GRUBER SYSTEMS INC., 25636 AVENUE STANFORD, VALENCIA, CA 91355, USA. COPYRIGHT 2002



MOLD PART	CATALOG No.	DESCRIPTION
MALE	20071	108 CHRYSTAL
FEMALE	400717	F-108 CHRYSTAL
	4007177	F-108 CHRYSTAL NO OVERFLOW
NAME	108 CHRYSTAL	
CAST WEIGHT	SCALE 1" = 1'0"	DATE 8-30-02
		PAGE No. BF-3